

CSS-R16

INSTALLATION HW 1.0

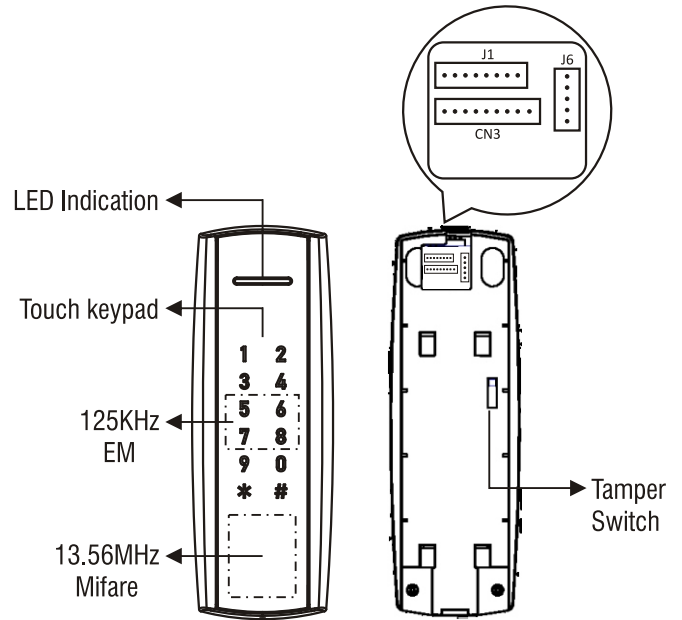
A. Package contents

■ Controller x1, Bracket x1, Installation guide x1, L-shape screw driver x1, Accessories kit x1

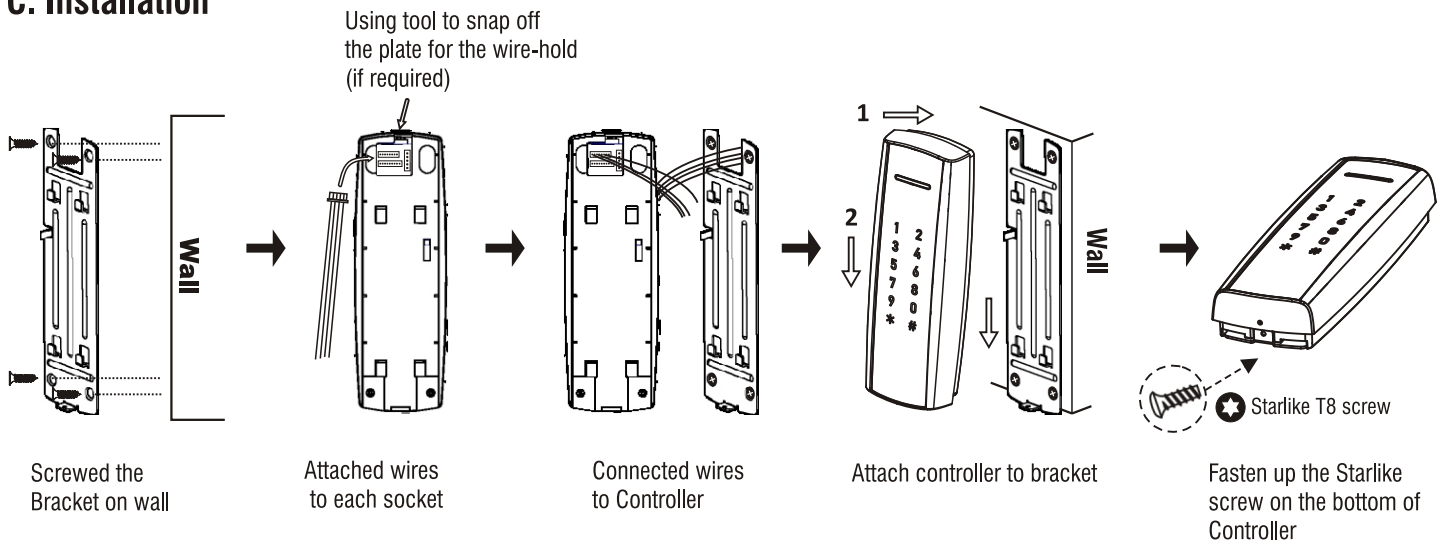
Accessory kit : Wall plug x4, Fasten screw x4, Diode x 1
9-Pin wire x1, 5-Pin wire x1, RJ-45 cable x1

B. Specifications

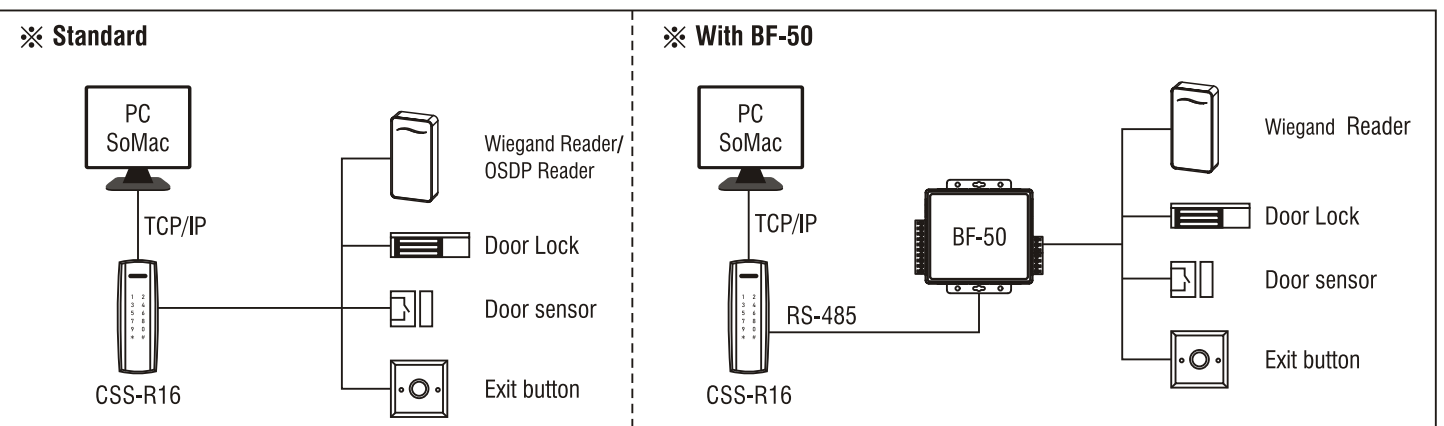
- Dimension : 160 x 57.3 x 28.1(mm)
- Wire : RVSP type is recommended for RS-485
- Voltage : DC 9~24V
- Power : 250mA
- Wiegand communication : up to 100 meters
- RS-485 communication : up to 1000 meters
- RJ-45 communication : up to 100 meters
- Built-in Relay Max Load Current : DC 30V~1A/ Form C



C. Installation



D. Structure



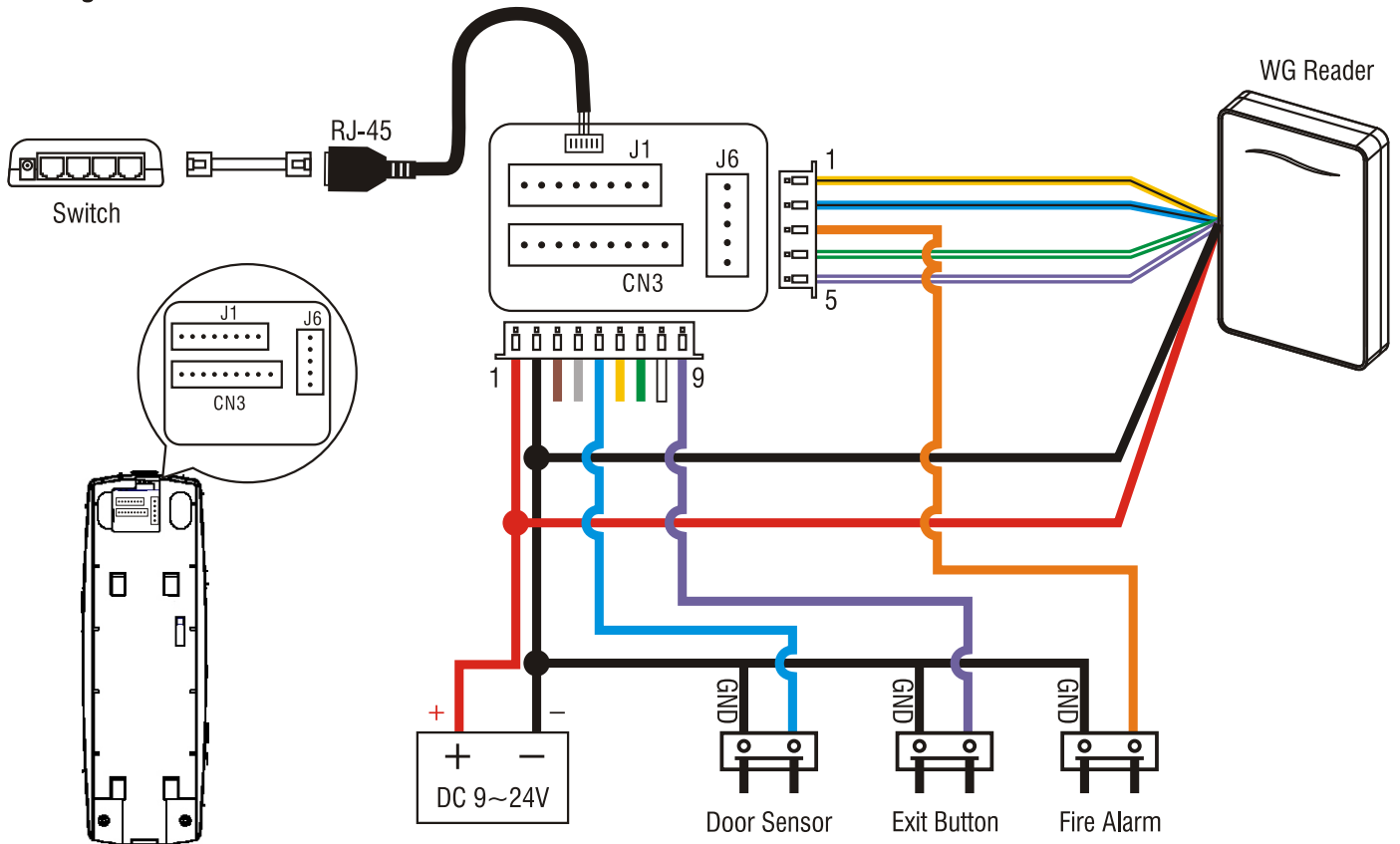
E. Cable Description

Cable	No.	Color	Function	LAN Cable	Description	
8PIN (J1)	1	BROWN	TX+	ORANGE/ WHITE	Ethernet	
	2	VIOLET	TX-	ORANGE		
	3	WHITE	RX+	GREEN/ WHITE		
	4	BLUE	RX-	GREEN		
	5	GREEN	N/A			
	6	YELLOW	N/A			
	7	BLACK	N/A			
	8	RED	N/A			

Cable	No.	Color	Function	Description
9PIN (CN3)	1	RED	VIN+	DC 9~24V (12V/ 250mA)
	2	BLACK	GND	
	3	BROWN	485+	FOR RELAY BOX BF-50
	4	GRAY	485-	
	5	BLUE	SENSOR	DOOR SENSOR
	6	YELLOW	NC	DOOR LOCK
	7	GREEN	COM	
	8	WHITE	NO	
	9	VIOLET	EXIT	EXIT BUTTON

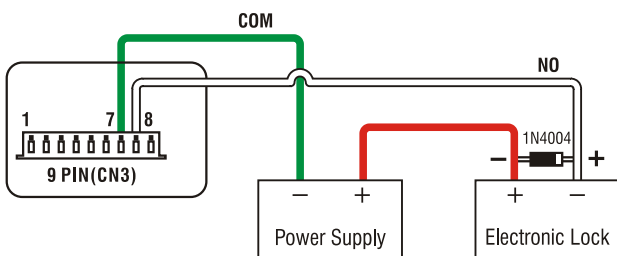
Cable	No.	Color	Function	Description
5PIN (J6)	1	YELLOW/ BLACK	BUZZER	Reader control OUTPUT
	2	BLUE/ BLACK	LED	
	3	ORANGE	FIRE	FIRE ALARM IN
	4	GREEN/ WHITE	WG IN D0	WIEGAND IN
	5	VIOLET/ WHITE	WG IN D1	

F. Wiring Definition



Door Lock Relay Wiring Instructions

• Fail-Secure Lock



• Fail-Safe Lock

